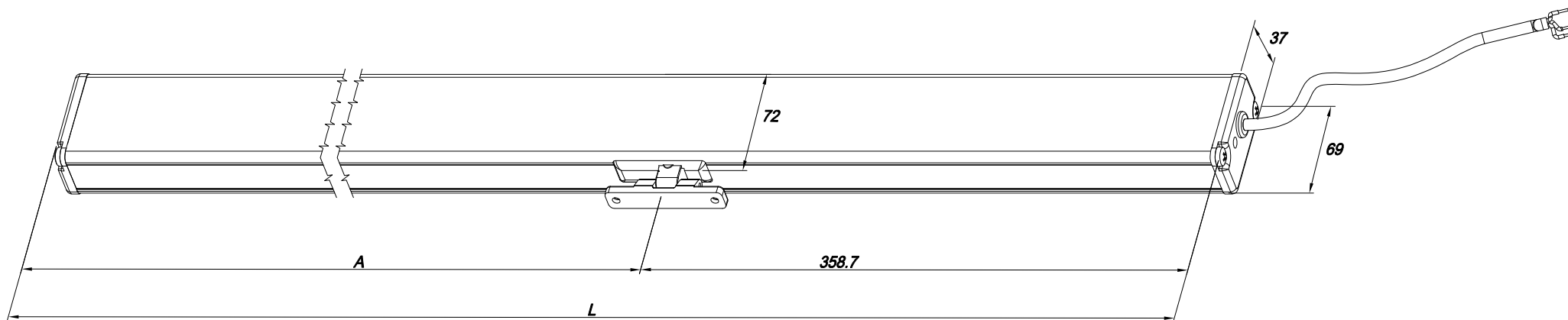


# DIMENSIONAL DRAWING

# QUASAR L



STROKE	A [mm]	L [mm]
600	400.3	759
750	475.3	834
1000	600.3	959

